

THE PERFECT CHOICE

ruck
AIR MOVEMENT



TECHNICAL DATA

Product		8" Prime Evo
Max. airflow		710 cfm
ID		147644
UN / FN	V / Hz	120 V 1~ / 60
I _{max}	A	1.9
Speed Control		3-2-1
Insulation class motor		F
Weight	lbs	11,24
Min. operating temperature		-25 °C

ruck Air Movement Inc.

6900 Northpark Blvd, Suite B
USA - Charlotte, NC 28216

Tel +1 704 644 2898

www.ruck-airmovement.com
sales@ruckair.com

OPTIMUS

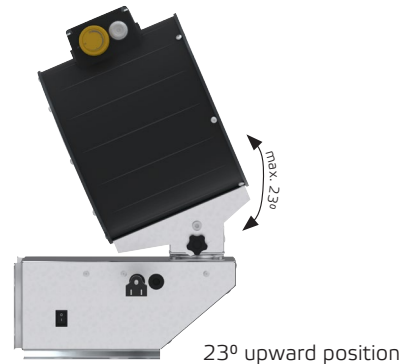
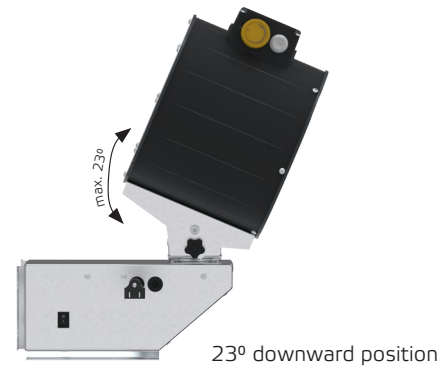
THE ABSOLUTE IN AIR DISTRIBUTION

YOUR WISH

- Further reach than traditional oscillating fans
- Laminar airflow precisely delivers air exactly where you need it
- ETL certified for long-lasting performance you can count on
- The most efficient Prime Evo
- Three dimensionally shaped impeller blades which distribute air evenly
- 710 cfm
- 3 speed steps with integrated speed switch
- Oscillating arm
- 23° up – down movement
- 120° left – right movement
- Ceiling or wall mount



FOR PERFECT AIR DISTRIBUTION



IS REALITY

